



# SM620

## Dental Surgical Microscope

**Details Make the Difference**

# Modern Micro Treatment





## 5 in 1 Module

Integrate 30° extender, beam splitter, rotation ring, 4K camera and iris diaphragm, not only improves the optical performance, but also reduces the weight of external accessories. Internal 4K camera with lower noise, higher sensitivity and resolution. The iris diaphragm is able to control the depth of field.

# Single Finger Control

With only one finger, you can reach the magnification knob, multi-function knob and variofocus objective lens with upright sitting position.



# Multiple Filter Modes

By using the multi-function knob, you can change the filter modes.

## Orange filter

Used for material filling, can prevent resin material curing too fast.



## White light source

Using the best medical LED light source with high CRI, excellent color restoration and uniformity of lighting spot.



## Green filter

Using for observing the small vessels and bleeding points in the blood environment.

## Fluorescent filter(opt.)

Used for distinguishing resin materials and finding the hidden caries.



## Superb Balance Arm

Equipped with dual-joint balance adjustment, the balance arm assures a ultra-smooth and ergonomic extension for dentists.



## Information Display

The LED display will be visually showing filter mode, zoom magnification factor and illumination statuses.

## Zoom System

Continuous magnification system of 0.4x to 2.4x. Continuously view at the highest magnification without over or under-sizing the viewing field.

## Cutting-edge Optics

Advanced optical lens with Apochromatic Design (APO), able to remove color difference, improve articulation index and increase the depth of field.

## Variofocus Objective

Variable working distance of 190-460mm





Variofocus objective



Digital camera adapter



Mobile adaptor



5 in 1 module



Iris Diaphragm



Rotation ring



30° Binocular extender



30° Binocular extender & beam splitter



Beam splitter

# Specifications

<b>Dental Surgical Microscope</b>	Classic	Pro	Pro+
Zooming-Magnification-Changer, 0.4x-2.4x	●	●	●
180°Tiltable Binocular with PD Adjustment	●	●	●
12.5x Wide-Field Eyepieces, Diopter Adjustable of Eyepiece ±7D	●	●	●
IPD 52-75mm	●	●	●
FOV 65mm-10mm	●	●	●
Multi-Function Knob	●	●	●
Information Display	●	●	●
Illumination Intensity >70000lx (F250)	●	●	●
Built-in LED	●	●	●
<b>Objectives</b>	Classic	Pro	Pro+
Varifocal 270, F=190-460mm	●	●	●
Dust Cap for Objective Lens	●	●	●
<b>Functions/Filters</b>	Classic	Pro	Pro+
Orange Filter & Green Filter	●	●	●
Fluorescence Mode	opt.	opt.	opt.
APO Design	●	●	●
<b>Digits</b>	Classic	Pro	Pro+
30° Binocular Extender with Built-in Beam Splitter	○	●	○
5 in 1 Module: Binocular Extender & Beam Splitter & Rotation Ring & 4K integrated Camera(Foot Switch associated) & Iris Diaphragm	○	○	●
Digital Camera Adaptor (Optional: Sony, Canon or Nikon)	○	●	○
360° Cell Phone Adaptor	○	opt.	opt.
Built-in Battery and HDMI Cable (Optional Camera Type: Sony, Canon or Nikon)	○	●	○
<b>Mounting System</b>	Classic	Pro	Pro+
Floor Mount, Ceiling Mount, Wall Mount	●	●	●
<b>Accessories</b>	Classic	Pro	Pro+
25° Binocular Rotation Ring	○	●	○
Foot Switch (Optional Camera Type: Sony, Canon or Nikon)	○	●	○
Iris Diaphragm (Increase the Depth of Field)	opt.	opt.	●
<b>Balance Arm</b>	Classic	Pro	Pro+
Balance Arm	●	●	○
Superb Balance Arm	○	○	●



Classic



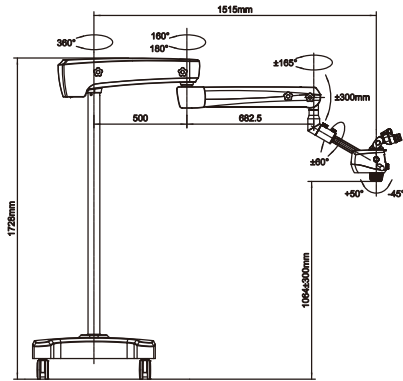
Pro



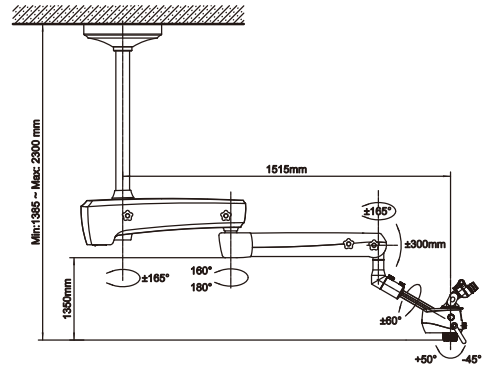
Pro+

# Suspension System Options

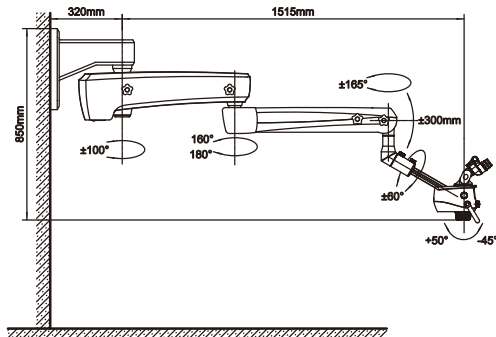
Floor mount



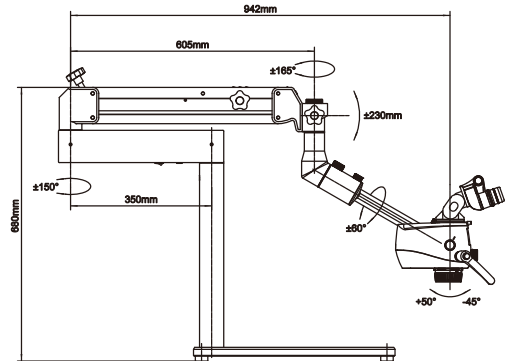
Ceiling mount



Wall mount



Desktop



Shanghai MediWorks Precision Instruments Co.,Ltd.

Add: Building 7, Ming Pu Plaza, No. 3279, San Lu Rd, Min Hang District, Shanghai, 201100, China

Tel: +86-21-54260421 54260423 Fax: +86-21-54260425

Email: [marketing@mediworks.biz](mailto:marketing@mediworks.biz)  
[international@mediworks.biz](mailto:international@mediworks.biz)

Follow us



[www.mediworks.biz](http://www.mediworks.biz)